

## HANGOVER MONOPOINT SURFACE CANOPY SUSPENSION

|           |
|-----------|
| PROJECT   |
| TYPE      |
| SPECIFIER |
| QUANTITY  |
| DATE      |

### A300153-

|             |                   |                    |                     |                   |                   |            |               |
|-------------|-------------------|--------------------|---------------------|-------------------|-------------------|------------|---------------|
| base number | Color Temperature | Finishes (Diamond) | Finishes (Triangle) | Finishes (Circle) | Reflector Options | Shine Ring | Cable Options |
|-------------|-------------------|--------------------|---------------------|-------------------|-------------------|------------|---------------|

- To build a product code in our configurator select the specify button on the base model # product page
- To build a manual product code on this datasheet choose from the options listed below in blue font and add the suffix to the base model #

#### GENERAL

|  |
|--|
| Series: Hangover                             |
| Subseries: Hangover Monopoint Surface Canopy |
| Brand: Prolicht                              |
| Division: Architectural                      |
| Mounting Type: Suspension                    |
| Mounting Location: Ceiling                   |
| Subcategory: Pendant                         |

#### PHYSICAL

|   |
|---|
| Shape: Cylinder   |
| Diameter (mm): 40   |
| Diameter (in): 1 9/16   |
| Height (mm): 150  |
| Height (in): 5 7/8  |
| Max. Overall Height (mm): 2150  |
| Max. Overall Height (in): 84 5/8  |
| Light Distribution: Downlight   |
| Weight (kg): 0.75   |
| Weight (lbs): 1.65  |
| Diffuser: Shine Ring 0-6  |
| Fixture Finish: SSR / BKV / CWI / CRY / HAB / UFT / ITA / RUA / FTG / MYG / LOD / PUS / FRO / FUP / KIA / POP / BLS / SPG / MEY / GOH / GUM / CHC / COM / ABZ / JAG / OBR / MOS / ROR |
| Fixture Material: Aluminum  |
| Cable Details: 2000mm / 6000mm Cable in White / Black / Orange / Red  |

#### ELECTRICAL

|  |
|--|
| Lamp Type: LED (Zhaga Standard)                              |
| Input Wattage (W): 10.9                                      |
| Total Output Wattage (W): 9                                  |
| Dimming: Non-Dimmable  |
| Driver Included: Yes   |
| Driver Location: Integrated                                  |
| Driver Type: Constant Current                                |
| Driver Class: Class 2  |
| Input Voltage (V): 120                                       |
| Constant Current (MA): 500                                   |
| Upon Request: Remote: 0-10Vdc dimming / Phase dimming 120Vac |

#### LED

|  |
|--|
| Number of LEDs: 1                          |
| Color Temperature (°K): 2700 / 3000 / 4000 |
| Max. Delivered Lumen (lm): 842             |
| CRI: >90 CRI                               |
| Lamp Life (hrs): 50000                     |

#### OPTICAL

|                    |
|--------------------|
| Reflector: 40 / 50 |
|--------------------|

#### RATINGS AND CERTIFICATIONS

|  |
|--|
| Certified By: Certified for North American Standards |
| IP rating: IP20                                      |



## HANGOVER MONOPOINT SURFACE CANOPY SUSPENSION

A300153-

|           |       |
|-----------|-------|
| PROJECT   | _____ |
| TYPE      | _____ |
| SPECIFIER | _____ |
| QUANTITY  | _____ |
| DATE      | _____ |



A

## HANGOVER MONOPOINT SURFACE CANOPY SUSPENSION

|           |
|-----------|
| PROJECT   |
| TYPE      |
| SPECIFIER |
| QUANTITY  |
| DATE      |

### A300154-

|             |                   |                    |                     |                   |                   |            |               |
|-------------|-------------------|--------------------|---------------------|-------------------|-------------------|------------|---------------|
| base number | Color Temperature | Finishes (Diamond) | Finishes (Triangle) | Finishes (Circle) | Reflector Options | Shine Ring | Cable Options |
|-------------|-------------------|--------------------|---------------------|-------------------|-------------------|------------|---------------|

- To build a product code in our configurator select the specify button on the base model # product page
- To build a manual product code on this datasheet choose from the options listed below in blue font and add the suffix to the base model #

#### GENERAL

|  |
|--|
| Series: Hangover                             |
| Subseries: Hangover Monopoint Surface Canopy |
| Brand: Prolicht                              |
| Division: Architectural                      |
| Mounting Type: Suspension                    |
| Mounting Location: Ceiling                   |
| Subcategory: Pendant                         |

#### PHYSICAL

|   |
|---|
| Shape: Cylinder   |
| Diameter (mm): 40   |
| Diameter (in): 1 <sup>9</sup> / <sub>16</sub>   |
| Height (mm): 300  |
| Height (in): 11 <sup>13</sup> / <sub>16</sub>   |
| Max. Overall Height (mm): 2300  |
| Max. Overall Height (in): 90 <sup>9</sup> / <sub>16</sub>   |
| Light Distribution: Downlight   |
| Diffuser: Shine Ring 0-6  |
| Fixture Finish: SSR / BKV / CWI / CRY / HAB / UFT / ITA / RUA / FTG / MYG / LOD / PUS / FRO / FUP / KIA / POP / BLS / SPG / MEY / GOH / GUM / CHC / COM / ABZ / JAG / OBR / MOS / ROR |
| Fixture Material: Aluminum  |
| Cable Details: 2000mm / 6000mmm Cable in White / Black / Orange / Red   |

#### ELECTRICAL

|  |
|--|
| Lamp Type: LED (Zhaga Standard)                              |
| Input Wattage (W): 10.9                                      |
| Total Output Wattage (W): 9                                  |
| Dimming: Non-Dimmable  |
| Driver Included: Yes   |
| Driver Location: Integrated                                  |
| Driver Type: Constant Current                                |
| Driver Class: Class 2  |
| Input Voltage (V): 120                                       |
| Constant Current (MA): 500                                   |
| Upon Request: Remote: 0-10Vdc dimming / Phase dimming 120Vac |

#### LED

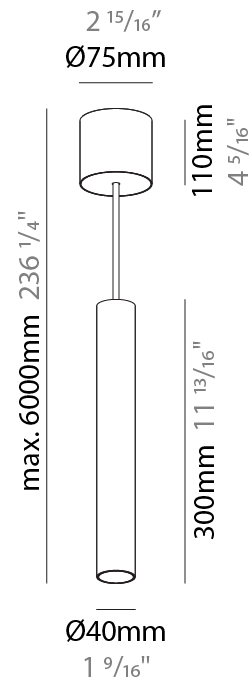
|   |
|---|
| Number of LEDs: 1   |
| Color Temperature (°K): 2700 / 3000 / 4000  |
| Max. Delivered Lumen (lm): 842  |
| CRI: >90 CRI  |
| Efficiency (%): 86  |
| Lamp Life (hrs): 50000  |
| Upon Request: ***3500K available in minimum quantities (larger quantities upon request) |

#### OPTICAL

|                     |
|---------------------|
| Reflector°: 40 / 50 |
|---------------------|

#### RATINGS AND CERTIFICATIONS

|  |
|--|
| Certified By: Certified for North American Standards |
| IP rating: IP20                                      |



## HANGOVER MONOPOINT SURFACE CANOPY SUSPENSION

A300154-

|           |       |
|-----------|-------|
| PROJECT   | _____ |
| TYPE      | _____ |
| SPECIFIER | _____ |
| QUANTITY  | _____ |
| DATE      | _____ |



A

|           |
|-----------|
| PROJECT   |
| TYPE      |
| SPECIFIER |
| QUANTITY  |
| DATE      |

## HANGOVER MONOPOINT SURFACE CANOPY SUSPENSION

### A300155-

|             |                   |                    |                     |                   |                   |            |               |
|-------------|-------------------|--------------------|---------------------|-------------------|-------------------|------------|---------------|
| base number | Color Temperature | Finishes (Diamond) | Finishes (Triangle) | Finishes (Circle) | Reflector Options | Shine Ring | Cable Options |
|-------------|-------------------|--------------------|---------------------|-------------------|-------------------|------------|---------------|

- To build a product code in our configurator select the specify button on the base model # product page
- To build a manual product code on this datasheet choose from the options listed below in blue font and add the suffix to the base model #

#### GENERAL

|  |
|--|
| Series: Hangover                             |
| Subseries: Hangover Monopoint Surface Canopy |
| Brand: Prolicht                              |
| Division: Architectural                      |
| Mounting Type: Suspension                    |
| Mounting Location: Ceiling                   |
| Subcategory: Pendant                         |

#### PHYSICAL

|   |
|---|
| Shape: Cylinder   |
| Diameter (mm): 40   |
| Diameter (in): 1 9/16   |
| Height (mm): 450  |
| Height (in): 17 13/16   |
| Max. Overall Height (mm): 2450  |
| Max. Overall Height (in): 96 7/16   |
| Light Distribution: Downlight   |
| Diffuser: Shine Ring 0-6  |
| Fixture Finish: SSR / BKV / CWI / CRY / HAB / UFT / ITA / RUA / FTG / MYG / LOD / PUS / FRO / FUP / KIA / POP / BLS / SPG / MEY / GOH / GUM / CHC / COM / ABZ / JAG / OBR / MOS / ROR |
| Fixture Material: Aluminum  |
| Cable Details: 2000mm / 6000mm Cable in White / Black / Orange / Red  |

#### ELECTRICAL

|  |
|--|
| Lamp Type: LED (Zhaga Standard)                              |
| Input Wattage (W): 10.9                                      |
| Total Output Wattage (W): 9                                  |
| Dimming: Non-Dimmable  |
| Driver Included: Yes   |
| Driver Location: Integrated                                  |
| Driver Type: Constant Current                                |
| Driver Class: Class 2  |
| Housing: ENCP3   |
| Input Voltage (V): 120                                       |
| Constant Current (MA): 500                                   |
| Upon Request: Remote: 0-10Vdc dimming / Phase dimming 120Vac |

#### LED

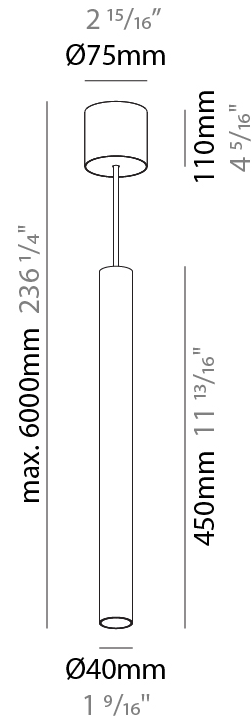
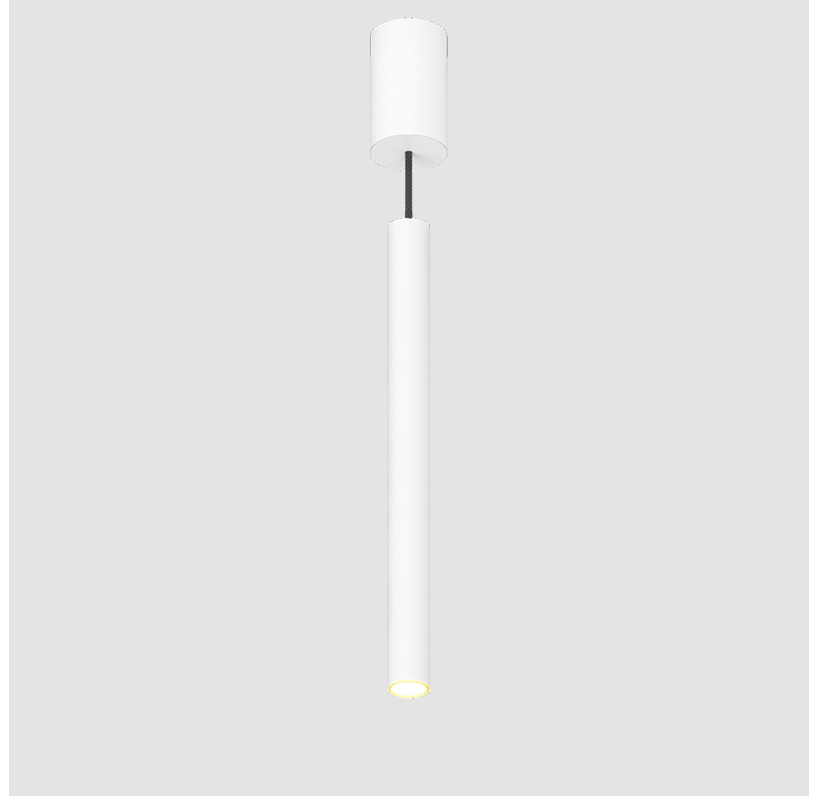
|   |
|---|
| Number of LEDs: 1   |
| Color Temperature (°K): 2700 / 3000 / 4000  |
| Max. Delivered Lumen (lm): 842  |
| CRI: >90 CRI  |
| Efficiency (%): 86  |
| Lamp Life (hrs): 50000  |
| Upon Request: ***3500K available in minimum quantities (larger quantities upon request) |

#### OPTICAL

|                    |
|--------------------|
| Reflector: 40 / 50 |
|--------------------|

#### RATINGS AND CERTIFICATIONS

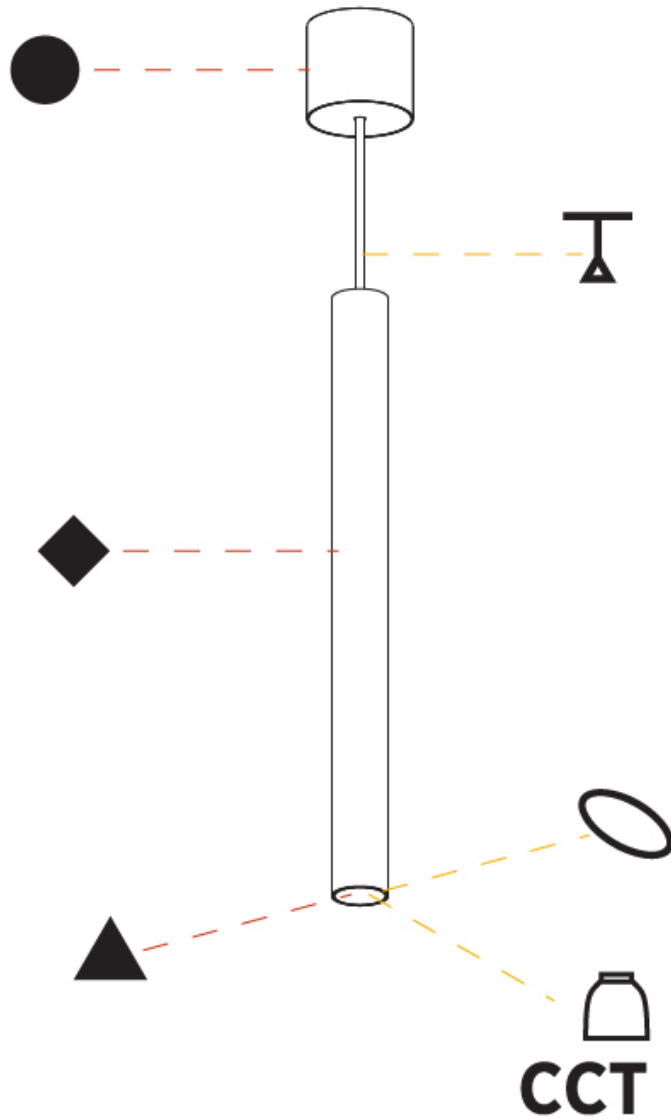
|  |
|--|
| Certified By: Certified for North American Standards |
| IP rating: IP20                                      |



## HANGOVER MONOPOINT SURFACE CANOPY SUSPENSION

A300155-

|           |
|-----------|
| PROJECT   |
| TYPE      |
| SPECIFIER |
| QUANTITY  |
| DATE      |



A

## HANGOVER COLOR FINISH CHART

|           |
|-----------|
| PROJECT   |
| TYPE      |
| SPECIFIER |
| QUANTITY  |
| DATE      |

### Fixture Finish

|   |  |  |   |   |  |
|---|--|--|---|---|--|
| Sparkling Silver - 01 (SSR)<br> | Black Velvet - 02 (BKV)<br>   | Crystal White - 03 (CWI)<br>      | Creamy - 04 (CRY)<br>               | Hampton Bay - 05 (HAB)<br>   | Urban Forest - 07 (UFT)<br>     |
| In the Army - 08 (ITA)<br>      | Rusty Angel - 09 (RUA)<br>    | Fade to Gray - 12 (FTG)<br>       | Mysterious Gray - 13 (MYG)<br>      | Lost Dream - 15 (LOD)<br>    | Purple Sky - 16 (PUS)<br>       |
| Fresh Oh - 17 (FRO)<br>        | Funky P. - 18 (FUP)<br>      | Kissing Aphrodite - 19 (KIA)<br> | Poseidon's Paradise - 20 (POP)<br> | Blue Sky - 21 (BLS)<br>     | Spring Green - 22 (SPG)<br>    |
| Mellow Yellow - 23 (MEY)<br>  | Golden Heart - 24 (GOH)<br> | Gun Metal - 25 (GUM)<br>        | Champagne Cream - 26 (CHC)<br>    | Copper Mine - 27 (COM)<br> | Ancient Bronze - 28 (ABZ)<br> |
| Jazz Gold - 29 (JAG)<br>      | Olive Breeze - 30 (OBR)<br> | Moonlight Silver - 31 (MOS)<br> | Rosewood Red - 32 (ROR)<br>       |   |  |

**Digital:** Not all screens are calibrated the same, and therefore, colors will appear differently between screens.

**Physical:** When texture is involved, there will be variations in color, character and tone within a product series and between product families.

**Gun Metal:** No Gun Metal finish is alike. It combines a mixture of transparent and black color particles which ensures a highly individual effect and no luminaire being identical.

**Champagne Cream, Copper Mine, Ancient Bronze + Jazz Gold:** These finishes have slight fading from specific powder coating production. Each luminaire will slightly vary.





|           |  |
|-----------|--|
| PROJECT   |  |
| TYPE      |  |
| SPECIFIER |  |
| QUANTITY  |  |
| DATE      |  |

### LEGEND

|   |  |  |
|---|--|--|
| floor-mounted   | pivotal  | special LED (upon request) RGB, RGBW, tunable, gold+, meat+, art+, fashion+                    |
| wall and ceiling: recessed and surface mounted            | rotating   | warm dim / natural dimming LED   |
| ceiling-mounted and wall-mounted                          | illuminate tilted  | rechargeable battery powered   |
| wall-mounted  | color of suspension cable                                    | fixture with natural vivid LED (upon request)  |
| omni-directional light distribution                       | length of suspension cable                                   | color rendering index  |
| direct light distribution                                 | reflector degree selection                                   | color temperature  |
| direct/indirect light distribution                        | super spot   | lumen (luminous flux)  |
| indirect light distribution                               | lens   | efficacy (lumens per watt)   |
| asymmetric light distribution                             | lens pack  | Unified Glare Rating (UGR) range from 5-40   |
| aura light distribution                                   | shine ring   | marine grade (AISI 316 stainless steel)  |
| round wall or ceiling cut-out                             | integrated shine ring with diffuser                          | walk on  |
| square wall or ceiling cut-out                            | free individual colors 01-29                                 | drive on   |
| the supplied jig specifies the cutout dimensions          | individual colors: 00 (free of charge), 01-25 (extra charge) | Dark Sky Compliance  |
| minimum distance (meters) lamp - object                   | luminaire part to be colored (F1)                            | Americans with Disabilities Act (less than 4" off the wall located between 27"-84" from floor) |
| recessed depth  | luminaire part to be colored (F2)                            | lamp protected against explosion   |
| ceiling thickness in mm                                   | luminaire part to be colored (F3)                            | blown glass using traditional methods by master glass blower                                   |
| ceiling thickness selection                               | luminaire part to be colored (F4)                            | acoustic material  |
| dimmable DP (phase), DV (0-10V), DD (dali), DS (step-dim) | luminaire part to be colored (F5)                            | protection class I, protection insulation  |
| included or excluded LED driver/transformer/control gear  | color of 3-circuit adaptor                                   | protection class II, protection insulation   |
| separately switchable                                     | indirect diffuser  | ETL Certified to UL and CSA Standards  |
| sensor  | direct diffuser  | UL Certified to UL and CSA Standards   |
| remote control  | ball-proof (upon request)                                    | CSA Certified to UL and CSA Standards  |
| available upon request                                    | accessory  | Certified for North American Standards   |

### IP RATING

|      |  |
|------|--|
| IP20 | protected against ingress of solid bodies greater than 12.5mm (finger)   |
| IP33 | protected against ingress of solid bodies greater than 2.5mm<br>protected against sprays of water up to 60 degrees from the vertical (rain)      |
| IP40 | protected against ingress of solid bodies greater than 1mm (wire)<br>no protection against the ingress of moisture                               |
| IP43 | protected against ingress of solid bodies greater than 1mm (wire)<br>protected against sprays of water up to 60 degrees from the vertical (rain) |
| IP44 | protected against ingress of solid bodies greater than 1mm (wire)<br>protected against water splashed from all directions                        |
| IP54 | protected against limited ingress of dust (wet rooms/covered outdoor areas)<br>protected against water splashed from all directions              |
| IP65 | protected against ingress of dust<br>protected against jets of water   |
| IP66 | protected against ingress of dust<br>protected against powerful jets of water or heavy seas  |
| IP67 | protected against ingress of dust<br>protected against immersion of water between 15cm - 1m for 30 minutes                                       |
| IP68 | protected against ingress of dust<br>protected against immersion of water under pressure for long periods  |

### IK RATING

|      |   |
|------|---|
| IK01 | protected against 0.14 joules impact (equivalent to 0.25kg mass dropped from 56mm above the surface)  |
| IK02 | protected against 0.2 joules impact (equivalent to 0.25kg mass dropped from 80mm above the surface)   |
| IK03 | protected against 0.35 joules impact (equivalent to 0.25kg mass dropped from 140mm above the surface) |
| IK04 | protected against 0.5 joules impact (equivalent to 0.25kg mass dropped from 200mm above the surface)  |
| IK05 | protected against 0.7 joules impact (equivalent to 0.25kg mass dropped from 280mm above the surface)  |
| IK06 | protected against 1 joules impact (equivalent to 0.25kg mass dropped from 400mm above the surface)    |
| IK07 | protected against 2 joules impact (equivalent to 0.5kg mass dropped from 400mm above the surface)     |
| IK08 | protected against 5 joules impact (equivalent to 1.7kg mass dropped from 300mm above the surface)     |
| IK09 | protected against 10 joules impact (equivalent to 5.0kg mass dropped from 200mm above the surface)    |
| IK10 | protected against 20 joules impact (equivalent to 5.0kg mass dropped from 400mm above the surface)    |